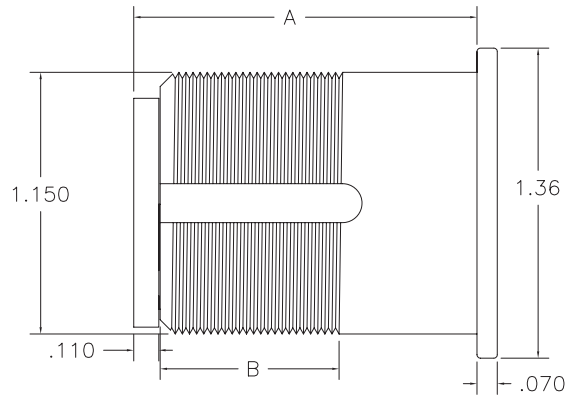


Mortise Cylinders – Dummy

- 14 finishes - 03, 03P, 04, 05, 10, 10B, 15, 26, 26D, 28, 29, 32, 32D, 46
- 11 lengths listed below

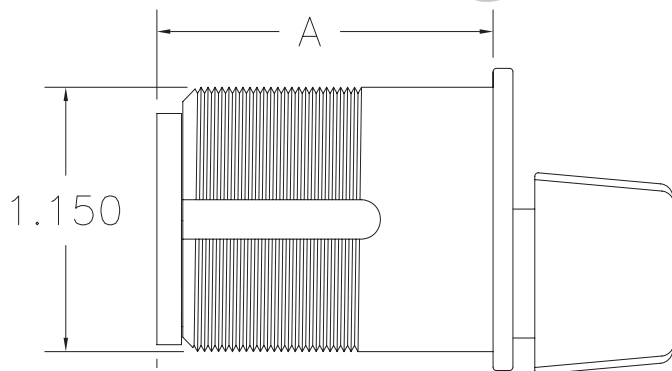
MODEL	LENGTH (A)
7120	3/4" (19mm)
7150	1 5/16" (23.8mm)
7160	1" (25.4mm)
7180	1 1/8" (28.6mm)
7200	1 1/4" (31.7mm)
7220	1 3/8" (34.9mm)
7240	1 1/2" (38.1mm)
7260	1 5/8" (41.2mm)
7280	1 3/4" (44.4mm)
7300	1 7/8" (47.6mm)
7320	2" (50.8mm)



Mortise Cylinders – Turnknob

- 12 finishes – 03, 04, 05, 10, 10B, 26, 26D, 28, 29, 32, 32D, 46
- 11 lengths listed below
- 17 cams

MODEL	LENGTH (A)
7121	3/4" (19mm)
7151	1 5/16" (23.8mm)
7161	1" (25.4mm)
7181	1 1/8" (28.6mm)
7201	1 1/4" (31.7mm)
7221	1 3/8" (34.9mm)
7241	1 1/2" (38.1mm)
7261	1 5/8" (41.2mm)
7281	1 3/4" (44.4mm)
7301	1 7/8" (47.6mm)
7321	2" (50.8mm)

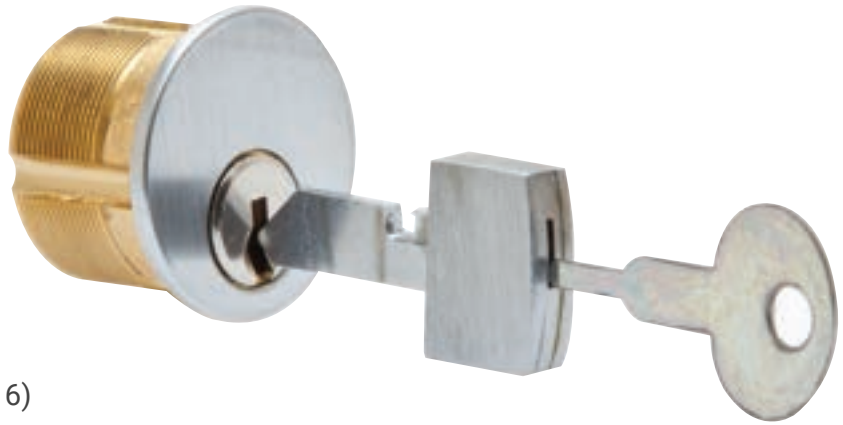


Mortise Cylinders – Captive Turnknob

One turnknob key, one conventional key per cylinder (Schlage® or Weiser® keys only)

- 2 finishes – 03, 26D
- 3 lengths listed below
- 17 cams

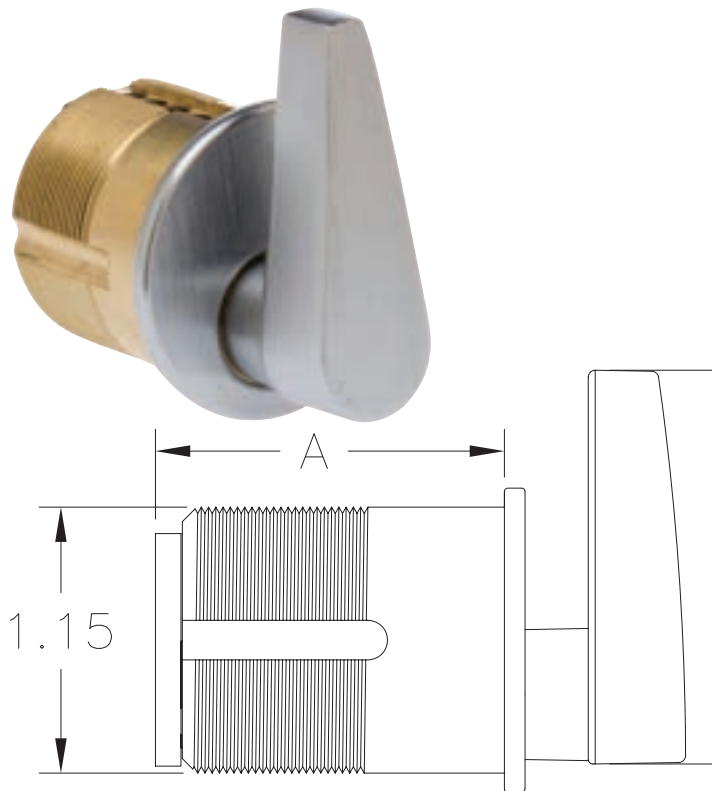
MODEL	LENGTH (A)	PINNING
41651	15/16" (23.8mm)	5 Pin
41661	1" (25.4mm)	5 Pin
41671	1 1/8" (28.6mm)	5 Pin (drilled 6)



Mortise Cylinders – ADA Turnknob

- 3 finishes – 03, 10B, 26D
- 10 lengths listed below
- 17 cams

MODEL	LENGTH (A)
ADA-7151	1 5/16" (23.8mm)
ADA-7161	1" (25.4mm)
ADA-7181	1 1/8" (28.6mm)
ADA-7201	1 1/4" (31.7mm)
ADA-7221	1 3/8" (34.9mm)
ADA-7241	1 1/2" (38.1mm)
ADA-7261	1 5/8" (41.2mm)
ADA-7281	1 3/4" (44.4mm)
ADA-7301	1 7/8" (47.6mm)
ADA-7321	2" (50.8mm)

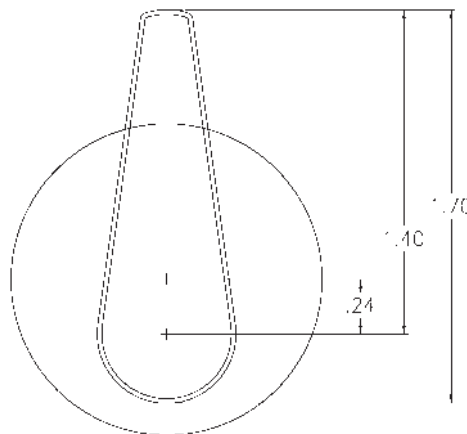


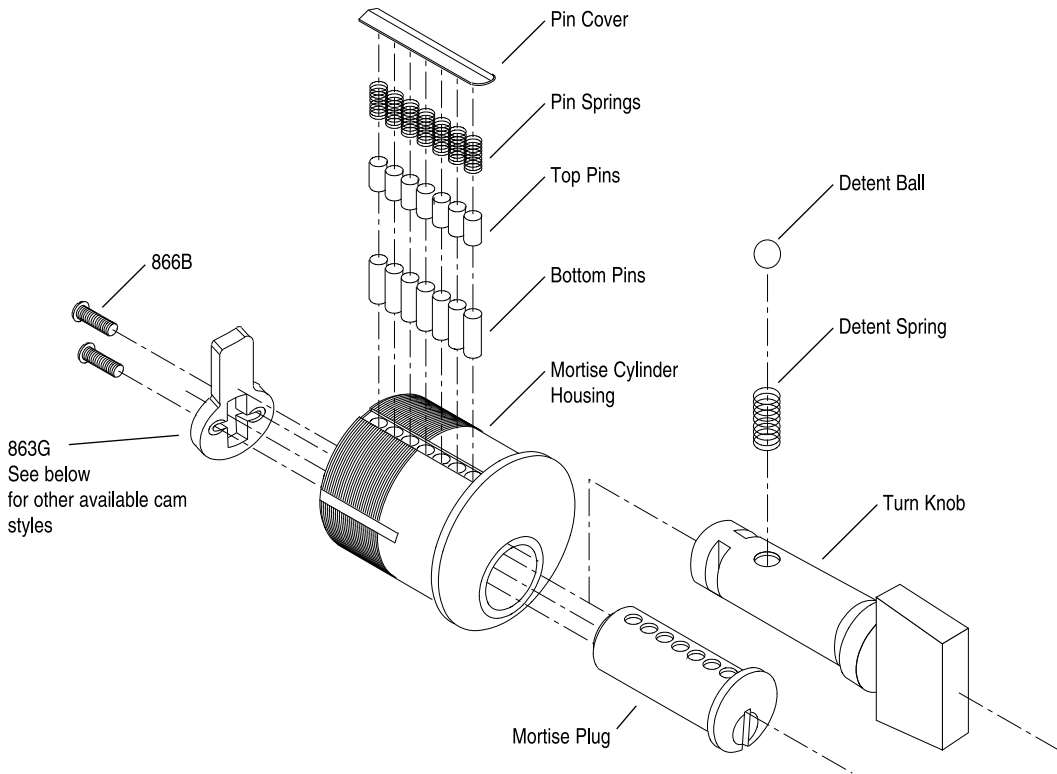
Mortise Cylinders – Classroom Turnknob

Rotation limited, field handing

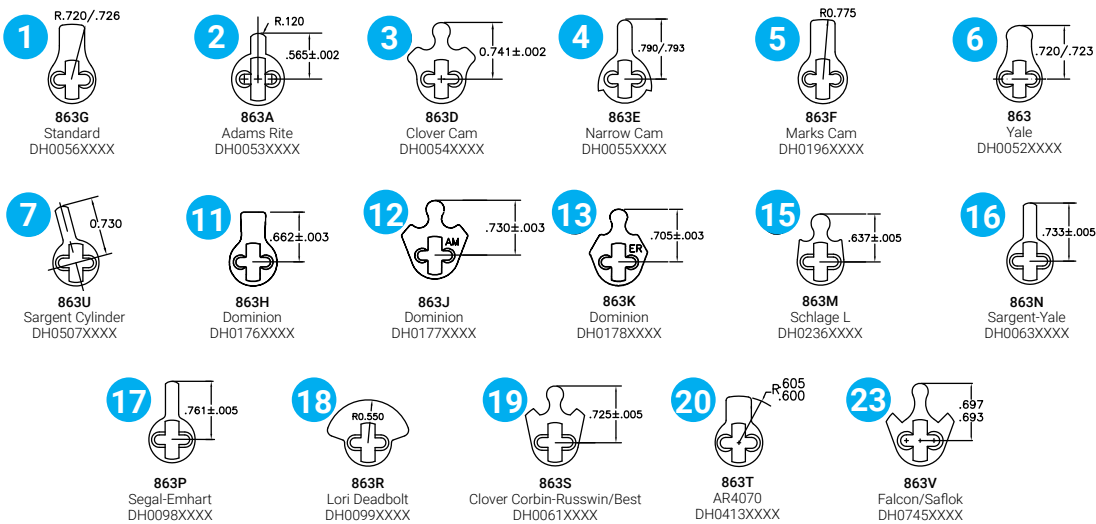
- 12 finishes – 03, 04, 05, 10, 10B, 26, 26D, 28, 29, 32, 32D, 46
- 4 lengths listed below
- 17 cams

MODEL	LENGTH (A)
4135	1 5/16" (23.8mm)
4136	1" (25.4mm)
4137	1 1/8" (28.6mm)
4138	1 1/4" (31.7mm)





Mortise Cylinder Cam Styles



Miscellaneous ACCESSORIES & PARTS

- 869-00-10 Cash Box Nut, fits thread on mortise cylinder body
- 866B-00-100 Mortise Cam Screws, 3 x 48 self-tapping x 5/16" long (100/bag)
- 704-04-11 Turn Knob Disc – standard throw, 3/16" (4.8 mm), square hub
- 705-04-11 Turn knob Disc – long throw, 3/16" (4.8 mm), square hub
- 4500-xx-5012 1" (25.4mm) for 2" (50.8mm) & 2 3/8" (60.3mm) Bolts
- 4510-xx-5012 1 1/8" (28.6mm)
- 4165-03-5001 Captive TK Key Blank, Bright Brass
- 4165-26D-5001 Captive TK Key Blank, Satin Chrome
- 4165-03-5002 Captive TK Cut Key, Bright Brass
- 4165-26D-5002 Captive TK Cut Key, Satin Chrome
- 4165-82-2001 Flat Steel Release Key