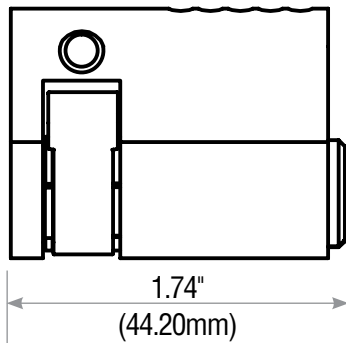
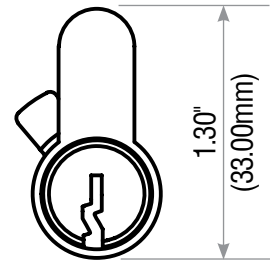


# PROFILE CYLINDER

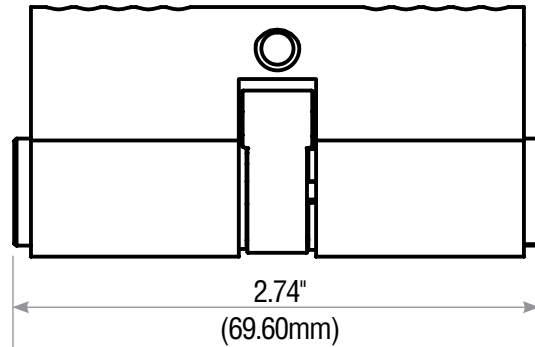
- ▶ Solid brass construction
- ▶ Removable pin chamber set-screws for easy rekeying
- ▶ 3 configurations available
- ▶ Drilled 5, pinned 5



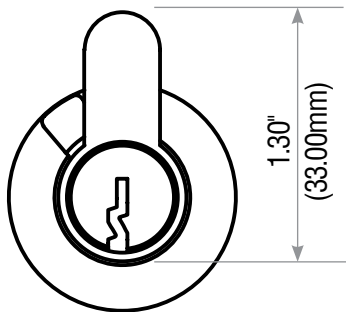
Model #	Type
PR10	Single Profile Cylinder
PR11	Double Profile Cylinder
PR12	Double Profile Cylinder with Thumb Turn



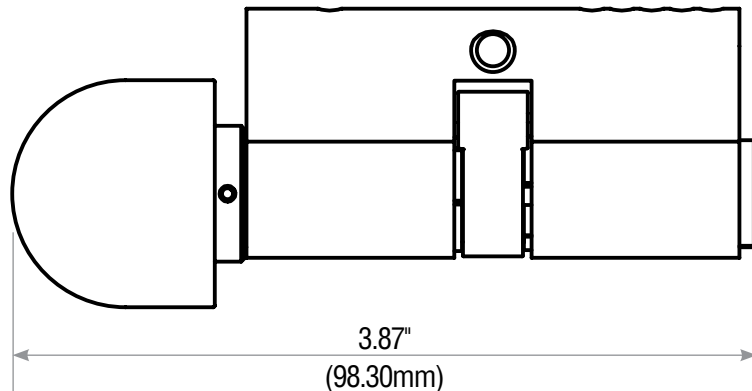
**PR10**



**PR11**

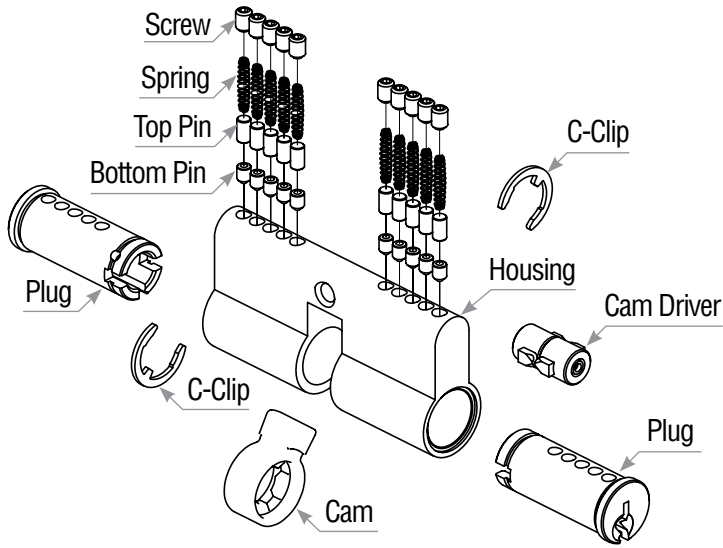


**PR12**

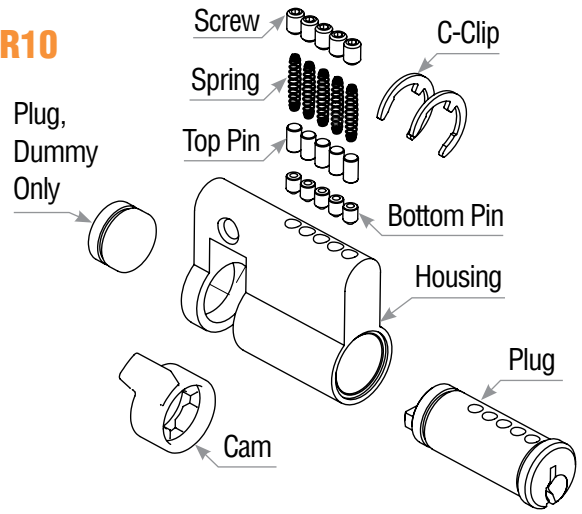


# Profile Cylinder Schematic Drawing

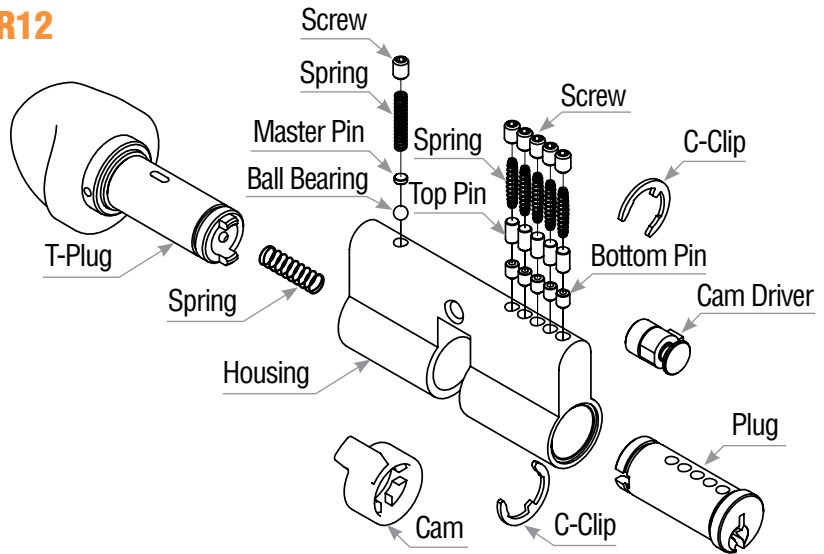
## PR11



## PR10



## PR12



## How to Order Profile Cylinders

Model #	Keyway	Finish	Keying
PR10	Arrow 1176 <b>AW</b>	Satin Brass <b>4</b>	Keyed alike in pairs <b>A2</b>
PR11	Corbin 60 <b>CB</b>	Satin Chrome <b>26D</b>	Zero bitted <b>OB</b>
PR12	Kwikset 1179 <b>KW</b>		Keyed different <b>KD</b>
	Schlage C <b>SC</b>		Special keying <b>KS</b>
	Weiser E <b>WR</b>		
	Yale 8 <b>YA</b>		

**PR11**

**AW**

**4**

**A2**