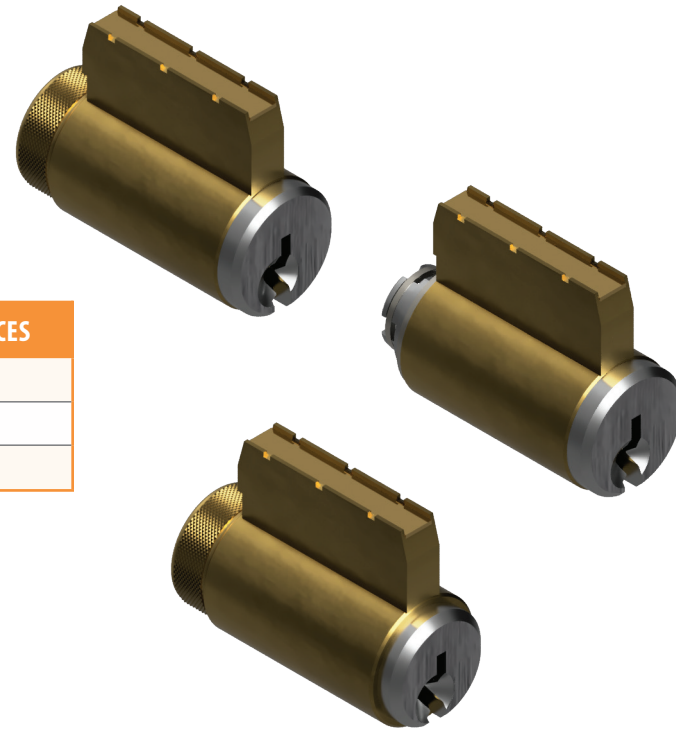
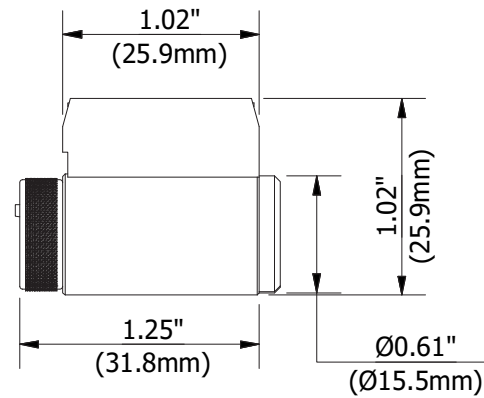


KNOB/LEVER CYLINDERS

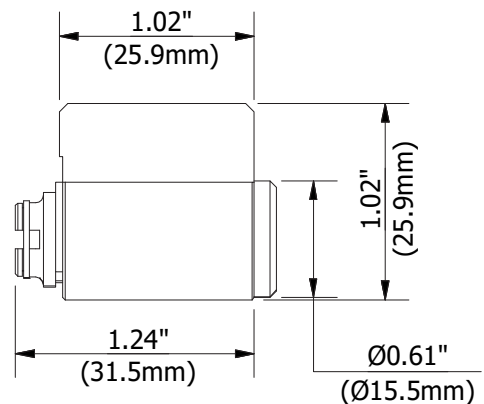
- ▶ Solid brass construction
- ▶ Exact OEM pinning specifications
- ▶ Fits most knob and lever locksets
- ▶ Multiple tailpieces included



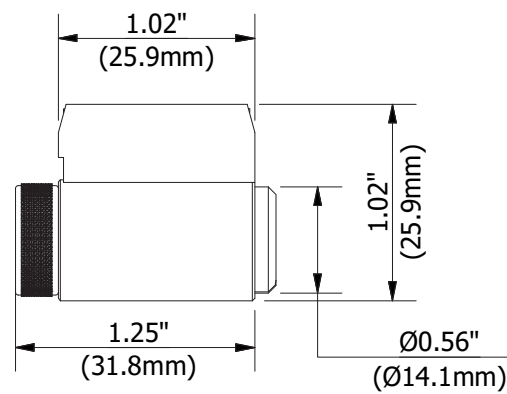
MODEL	DESCRIPTION	TAILPIECES
K001	Fits Schlage knobs, levers and deadbolts	5 pcs
K002	Fits Arrow knobs and levers	3 pcs
K003	Fits Sargent levers	3 pcs



K001



K002



K003

HOW TO ORDER KNOB/LEVER CYLINDERS

MODEL	KEYWAY	FINISH	KEYING
K001	AW (Arrow 1179)	4 (Satin Brass) 26D (Satin Chrome)	A2 (Keyed alike in pairs) KD (Keyed different) OB (Zero bitted) <i>Cylinders are drilled 6, pinned 5.</i>
	CB (Corbin 60)		
	KW (Kwikset 1176)		
	SC (Schlage C)		
	SE (Segal 9)		
	SX (Schlage C~K)		
	WR (Weiser E)		
	YA (Yale 8)		
	CL4 (Corbin L4)		
	RD1 (Russwin D1)		
	SA (Sargent LA)		
	SAX (Sargent LA~LC)		
	SLB (Sargent LB)		
	RA (Sargent RA)		
SCE (Schlage E)			
SCF (Schlage F)			
YGA (Yale GA)			
K002	AST (Assa Twin 6000)	NK-6 <i>Cylinders are sub-assembled with follower, no keys.</i>	
	ASV (Assa V10)		
	G23 (Schlage C123)		
	G45 (Schlage C145)		
	AW (Arrow 1179)		
K003	SA (Sargent LA)	A2 (Keyed alike in pairs) KD (Keyed different) OB (Zero bitted)	
	SC (Schlage C)		

EXAMPLES **K001SC26DA2**
K001G2326DNK-6
K002AW4A2

Yale Conversion Kit

PART NUMBER	DESCRIPTION
KIT-K001YA	Converts K001* to fit Yale levers

*K001 cylinder not included