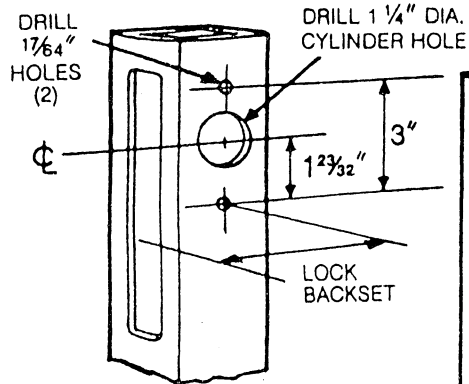


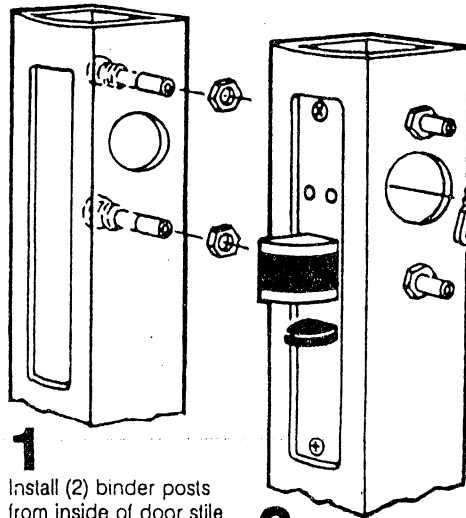
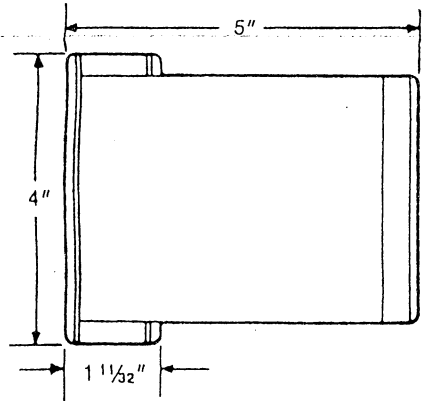
PH-4520 Latch Paddle Handle - For Use With DL-4510 Deadlatch Lock

**INSTALLATION INSTRUCTIONS**

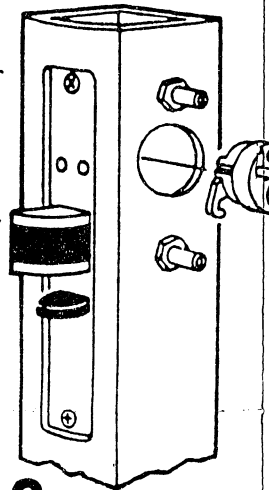
**FOR 1-3/4" DOOR**



PREPARE DOOR STILE

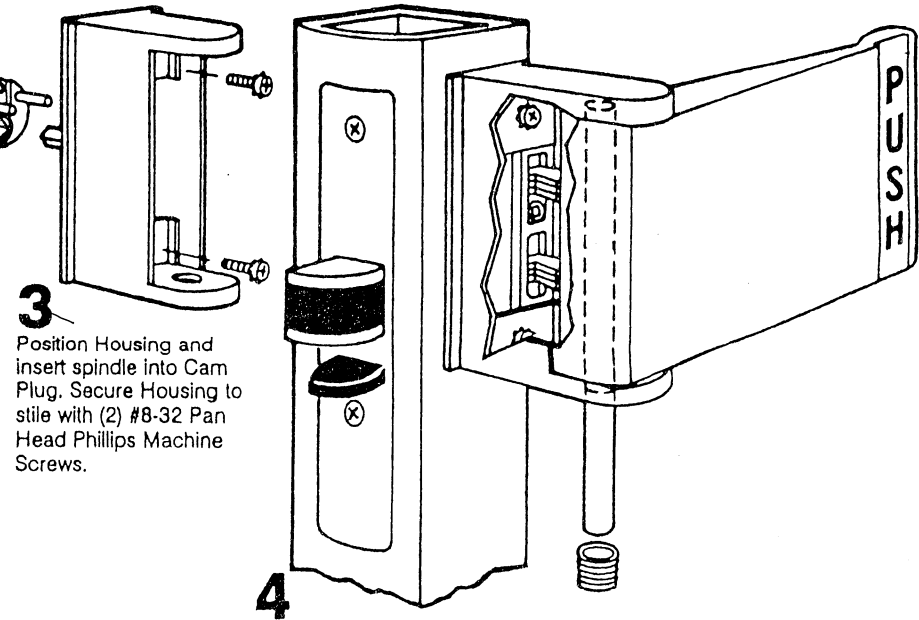


**1** Install (2) binder posts from inside of door stile as shown. Secure with (2) 1/4-28 nuts.

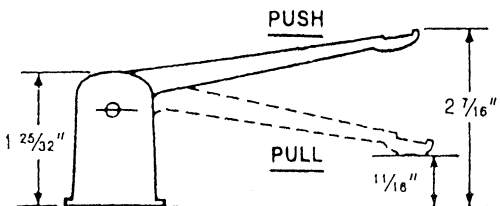


**2** Install Deadlatch Lock. Depress Latch Bolt with thumb and Install Cam Plug in Lock. Secure Cam Plug in Lock with Cylinder Set Screw.

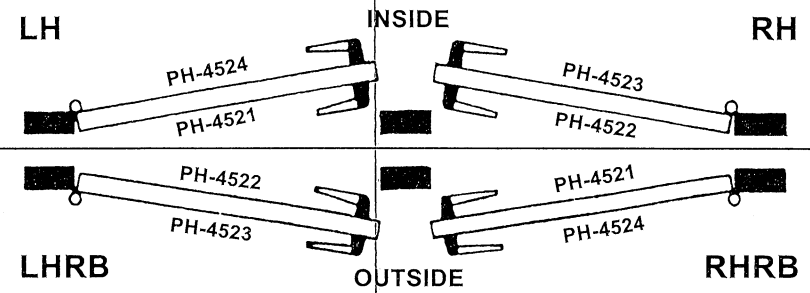
Cam on Cam Plug is handed and can be reversed. (See instructions for Reversing Hand on back).



**3** Position Housing and insert spindle into Cam Plug. Secure Housing to stile with (2) #8-32 Pan Head Phillips Machine Screws.



**4** Place Paddle Handle Lugs in Actuator of Housing and seat Handle in Housing. Insert Pivot Pin thru Housing and Handle and secure with 3/16" socket set screw (Screw in Flush to Housing). Place PUSH or PULL Plate in Handle Channel as required.

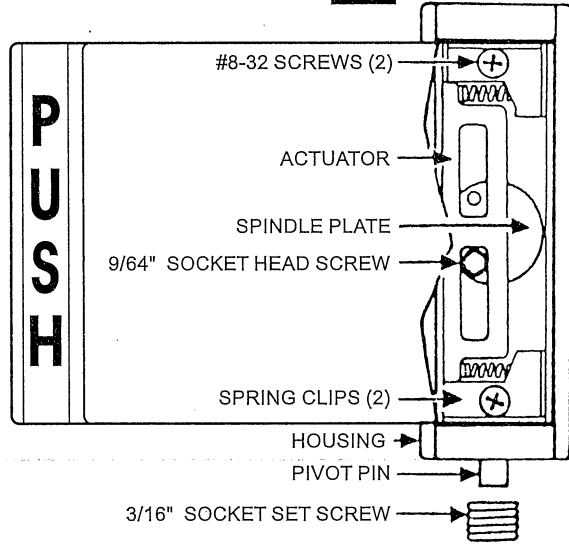


- PH-4521 **PUSH** To The LEFT
- PH-4522 **PUSH** To The RIGHT
- PH-4523 **PULL** To The LEFT
- PH-4524 **PULL** To The RIGHT

# INSTRUCTIONS TO CHANGE HAND OR FUNCTION

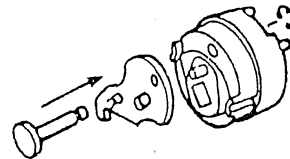
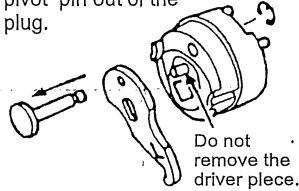
Remove the (2) #8-32 Screws, Spring Clips and Springs. Reposition the Actuator with (2) Springs, Spring Clips and the 9/64" Socket Head Screw in Spindle Plate as shown. Proceed to Installation step #3. **NOTE:** Cam on Cam Plugs must be correct "L" or "R" as shown (opposite the hand of the Paddle Handle).

PH-4521 **PUSH** To The LEFT



## CP-4560 CAM PLUG INSTRUCTIONS FOR REVERSING HAND

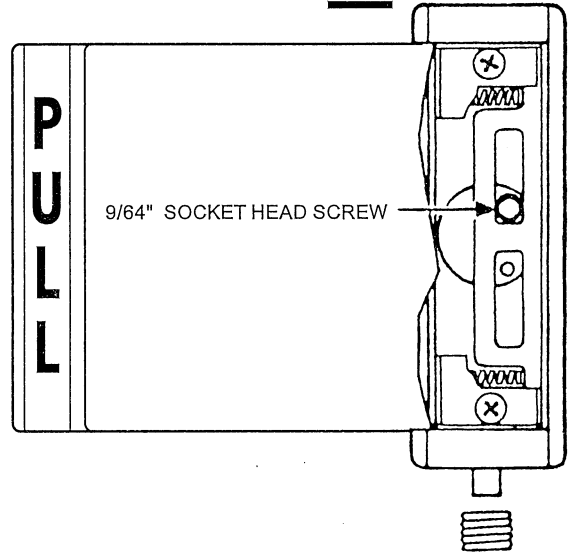
Remove the 'E' Ring retainer clip and pull the cam pivot pin out of the plug.



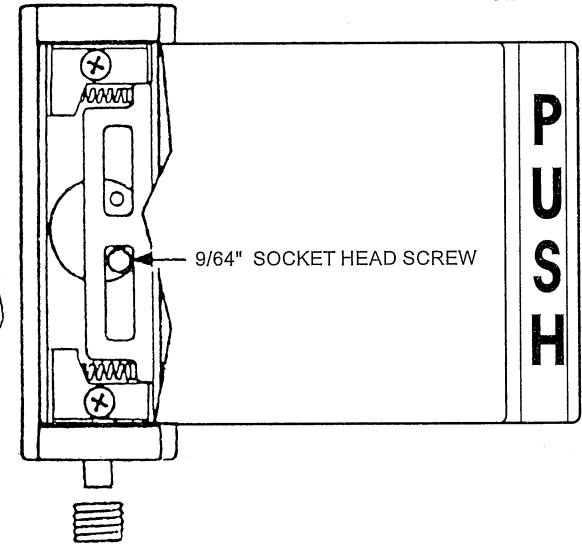
Turn the cam over and push the cam pivot pin back in the plug and secure with the 'E' Ring retainer clip.



PH-4523 **PULL** To The LEFT



PH-4522 **PUSH** To The RIGHT



PH-4524 **PULL** To The RIGHT

