

International

HL-4560

Lever Handle

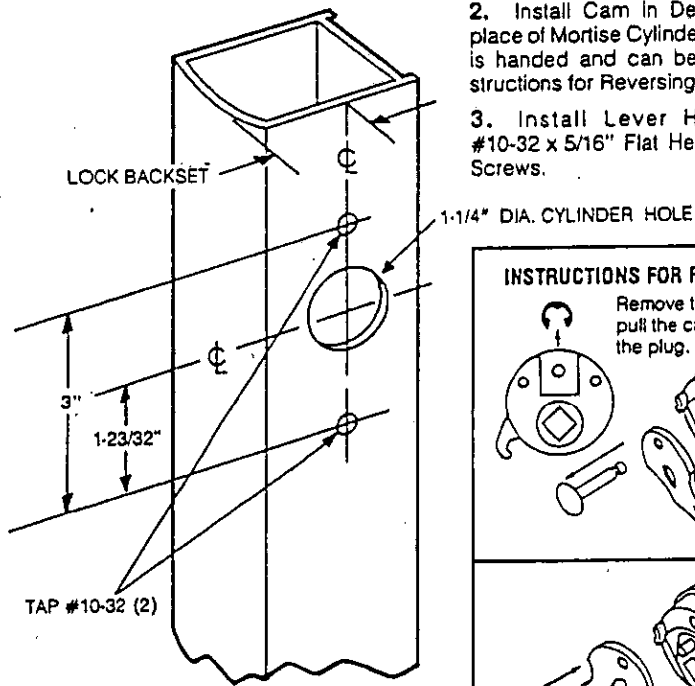
INSTALLATION INSTRUCTIONS

(For Use With DL-4510 Type Lock)

1. Drill and tap Door Stile for #10-32 Screws as shown.

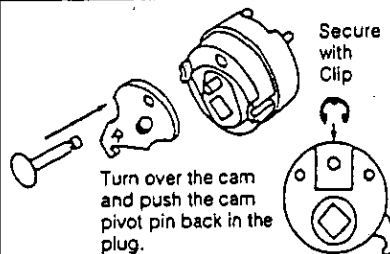
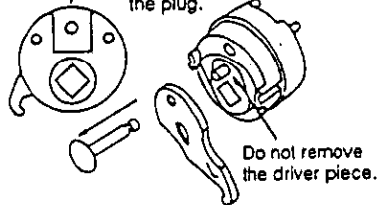
2. Install Cam in Deadlatching Lock in place of Mortise Cylinder. Cam on Cam Plug is handed and can be reversed. (See Instructions for Reversing Hand).

3. Install Lever Handle using (2) #10-32 x 5/16" Flat Head Phillips Machine Screws.



INSTRUCTIONS FOR REVERSING HAND

Remove the retainer clip and pull the cam pivot pin out of the plug.



COPYRIGHT 1988 INTERNATIONAL DOOR CLOSERS, INC.

International
door closers

Nashville, TN.
Anaheim, CA.
Made in Taiwan