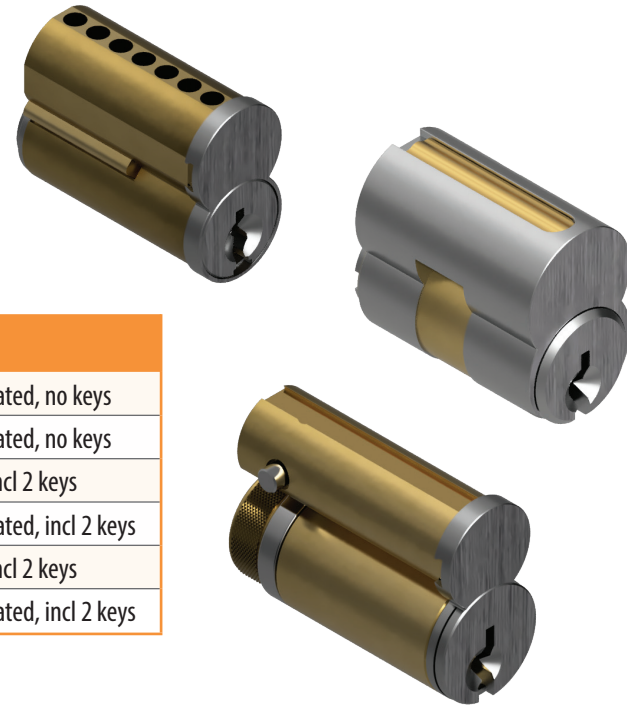


IC CORES

- ▶ Solid brass construction
- ▶ Exact OEM pinning specifications
- ▶ Precision CNC machined
- ▶ 5 popular industry formats



MODEL	DESCRIPTION	KEYING
IC6	Best small format core, 6 pin	Uncombined, no keys
IC7	Best small format core, 7 pin	Uncombined, no keys
LFIC	Schlage large format core, 6 pin	1-bitted, incl 2 keys
SIC	Sargent large format core, 6 pin	Uncombined, incl 2 keys
CIC	Corbin large format core, 6 pin	0-bitted, incl 2 keys
MIC	Medeco large format core, Schlage keyway, 6 pin*	Uncombined, incl 2 keys

*Requires KIT-PIN01 pinning kit

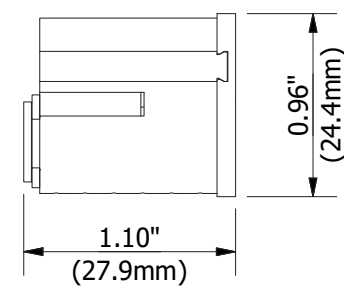
HOW TO ORDER IC CORES

MODEL	KEYWAY	FINISH	KEYING
IC6	A (Best A)	4 (Satin Brass)	N/A
IC7	J (Best J)	19 (Black)	
	B (Best B)	26D (Satin Chrome)	
	C (Best C)		
	D (Best D)		
	E (Best E)		
	F (Best F)		
	G (Best G)		
	H (Best H)		
IC7	TA (Best TA)	WA (Best WA)	
	TB (Best TB)	WB (Best WB)	
	TC (Best TC)	WC (Best WC)	
	TD (Best TC)	WD (Best WD)	
	TE (Best TE)	WG (Best WG)	
	WH (Best WH)		
LFIC	SC (Schlage C)	4 (Satin Brass) 26D (Satin Chrome)	B1 (1-bitted)
	SCE (Schlage E)		
	SCF (Schlage F)		NB (1-bitted, no keys)
	SX (Schlage C~K)		
	G23 (Schlage C123) G45 (Schlage C145)		
SIC	SA (Sargent LA)	4 (Satin Brass) 26D (Satin Chrome)	N/A
	SAX (Sargent LA~LC)		
	SLB (Sargent LB)		
	RA (Sargent RA)		
CIC	CL4 (Corbin L4)	26D (Satin Chrome)	N/A
MIC	SC (Schlage C)		

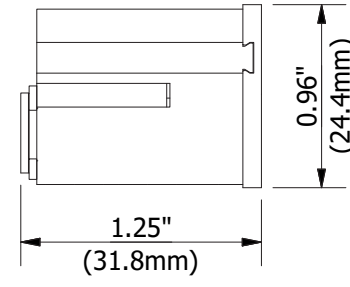
EXAMPLES IC7A26D
LFICSCF4B1
SICSA26D
CICCLR4
MICSC26D

MIC Pinning Kit

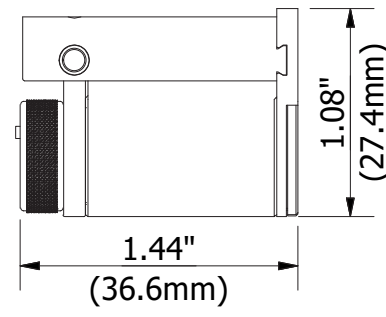
PART NUMBER	DESCRIPTION
KIT-PIN01	MIC pinning kit



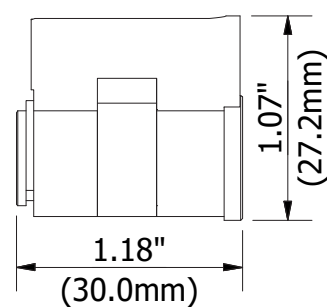
IC6



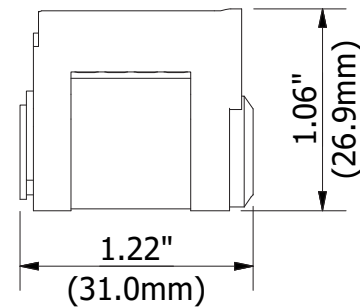
IC7



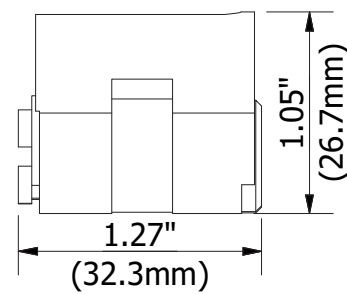
LFC



SIC



CIC



MIC