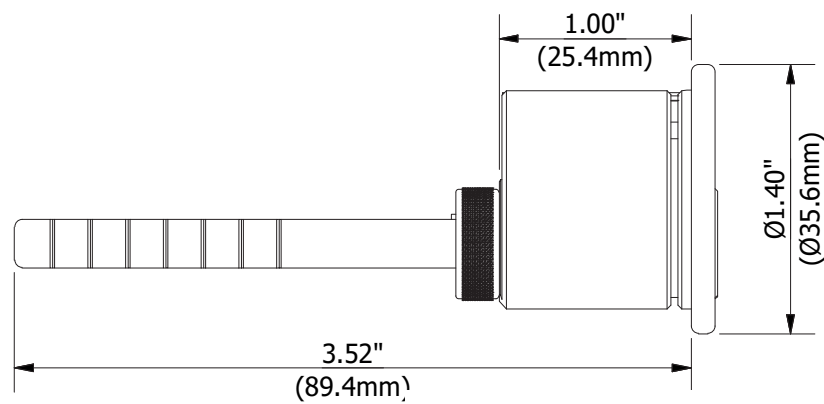
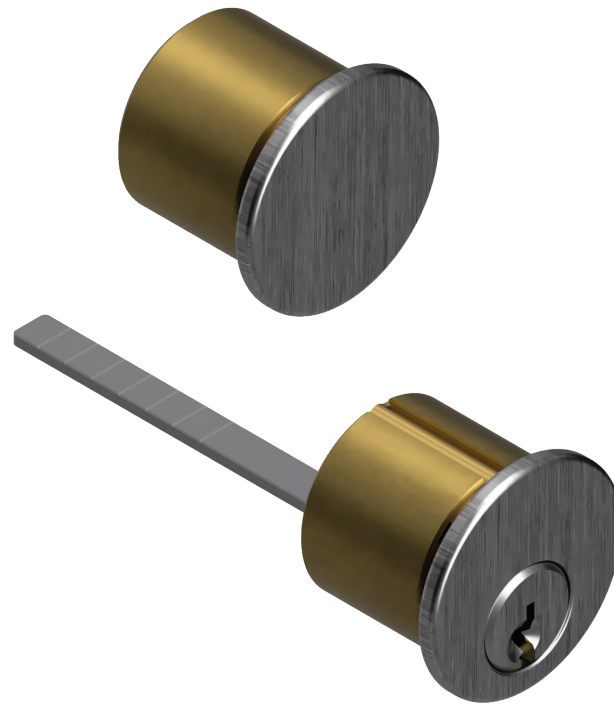


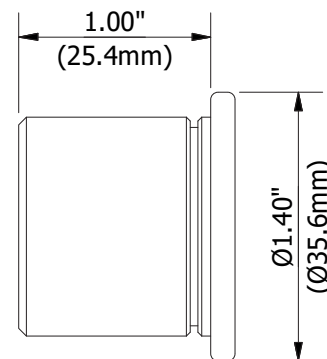
RIM/RIM DUMMY CYLINDERS

- ▶ Solid brass construction
- ▶ Exact OEM pinning specifications
- ▶ Precision CNC machined
- ▶ Retaining cap design for easy pinning

MODEL	DESCRIPTION
R118	1-1/8" Rim cylinder
R118D	1-1/8" Rim dummy cylinder



R118



R118D

HOW TO ORDER RIM/RIM DUMMY CYLINDERS

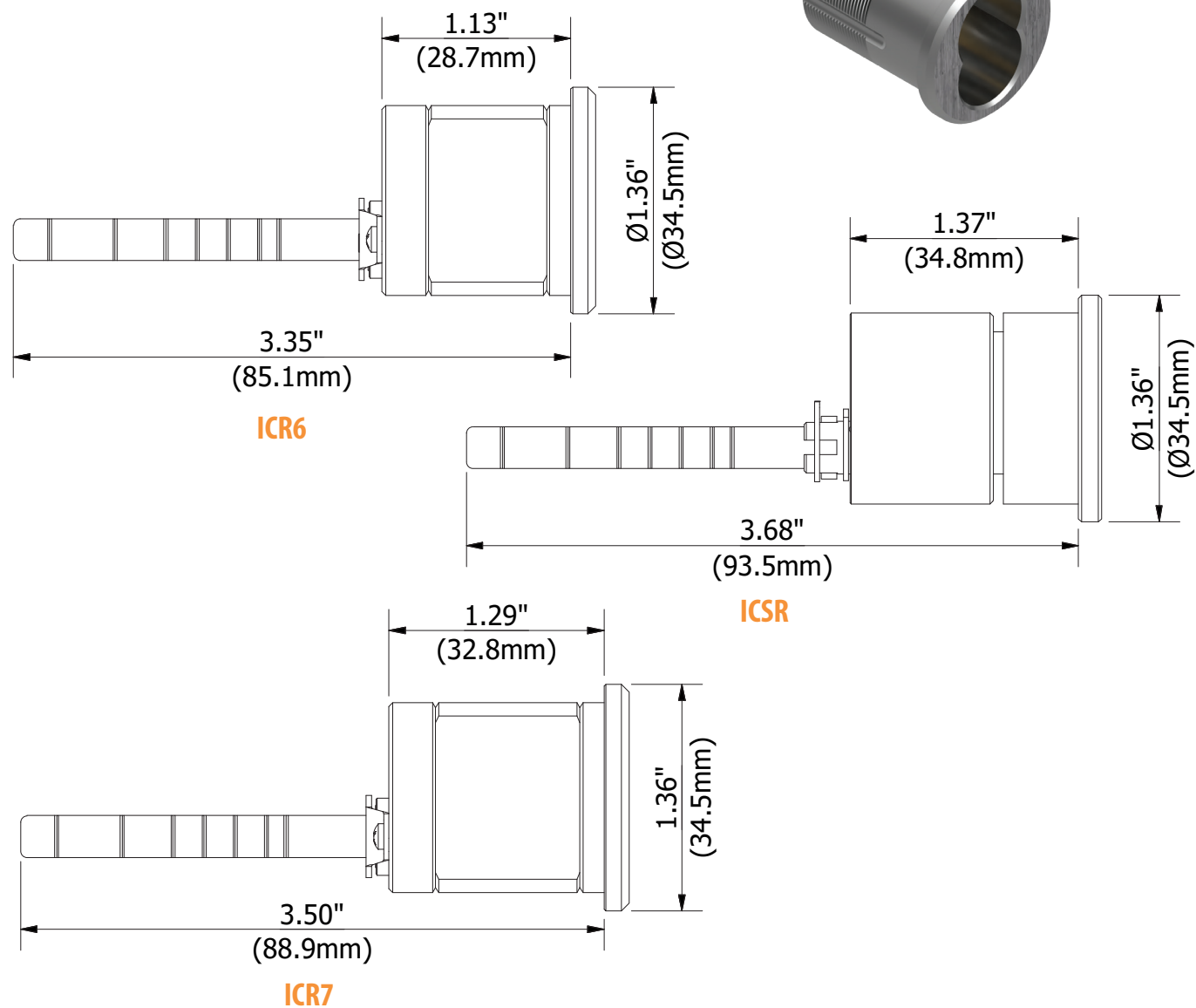
MODEL	KEYWAY	FINISH	KEYING
R118	AW (Arrow 1179)	3 (Polished Brass)	A2 (Keyed alike in pairs) KD (Keyed different) OB (Zero bitted) <i>Cylinders are drilled 6, pinned 5.</i>
	CB (Corbin 60)	4 (Satin Brass)	
	KW (Kwikset 1176)	10 (Satin Bronze)	
	SC (Schlage C)	10B (Oil Rubbed Bronze)	A2-6 (Keyed alike in pairs) KD-6 (Keyed different) OB-6 (Zero bitted) <i>Cylinders are drilled 6, pinned 6.</i>
	SE (Segal 9)	15 (Satin Nickel)	
	SX (Schlage C~K)	19 (Black)	
	WR (Weiser E)	26 (Polished Chrome)	
	YA (Yale 8)	26D (Satin Chrome)	NK-6 <i>Cylinders are sub-assembled with follower, no keys.</i>
	CL4 (Corbin L4)	32D (Stainless Steel)	
	RD1 (Russwin D1)		
	SA (Sargent LA)		
	SAX (Sargent LA~LC)		
	SLB (Sargent LB)		
	RA (Sargent RA)		
SCE (Schlage E)			
SCF (Schlage F)			
YGA (Yale GA)			
AST (Assa Twin 6000)			
ASV (Assa V10)			
G23 (Schlage C123)			
G45 (Schlage C145)			
R118D	N/A		N/A

EXAMPLES R118KW10BA2
R118G2326DNK-6
R118D26D

IC RIM HOUSINGS

- ▶ Solid brass construction
- ▶ Exact OEM dimensions
- ▶ Precision CNC machined

MODEL	DESCRIPTION
ICR6	Best small format, straight rim housing, 6 pin
ICR7	Best small format, straight rim housing, 7 pin
ICSR	Schlage large format, rim housing
CCR	Corbin large format, rim housing
MCR	Medeco large format, rim housing
SCR	Sargent large format, rim housing
YCR	Yale large format, rim housing



HOW TO ORDER IC RIM HOUSINGS

MODEL	FINISH
ICR6	3 (Polished Brass)
ICR7	4 (Satin Brass)
ICSR	10B (Oil Rubbed Bronze)
CCR	19 (Black)
MCR	26 (Polished Chrome)
SCR	26D (Satin Chrome)
YCR	

EXAMPLES ICR726D
MCR19

