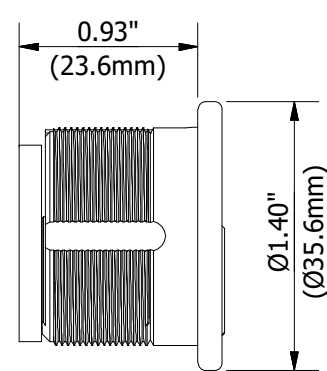
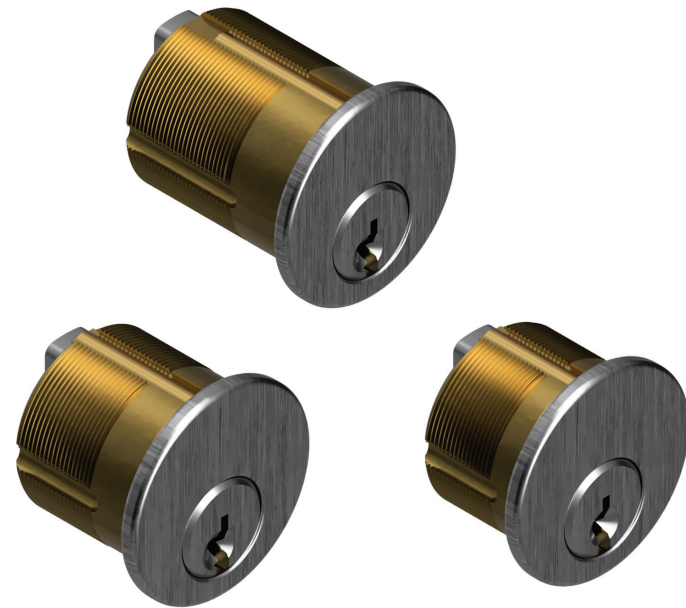


MORTISE CYLINDERS

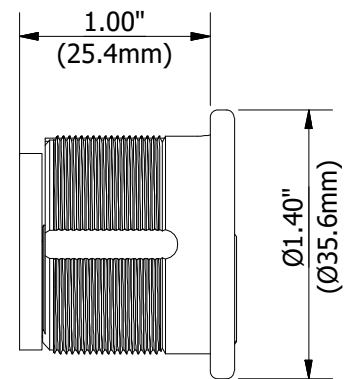
- ▶ Solid brass construction
- ▶ Exact OEM pinning specifications
- ▶ Precision CNC machined
- ▶ Anti-slip cam screws

MODEL	DESCRIPTION
M156	15/16" mortise cylinder
M100	1" mortise cylinder
M118	1-1/8" mortise cylinder
M114	1-1/4" mortise cylinder
M138	1-3/8" mortise cylinder
M112	1-1/2" mortise cylinder

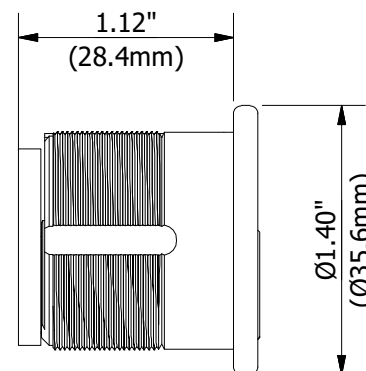
Extended lengths available, call for details.



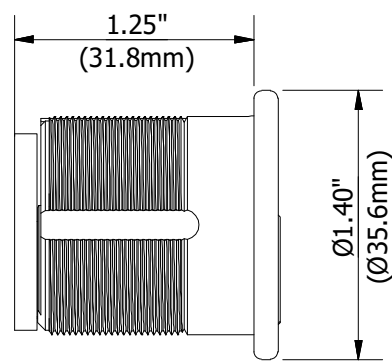
M156



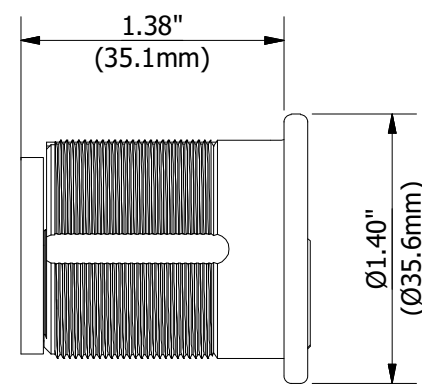
M100



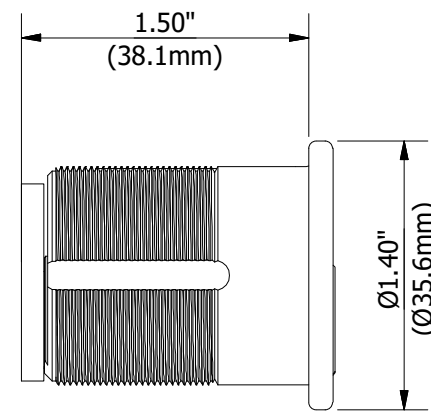
M118



M114



M138



M112

HOW TO ORDER MORTISE CYLINDERS

MODEL	KEYWAY	FINISH	CAM	KEYING
M156	AW (Arrow 1179)	3 (Polished Brass)	AR (AdamsRite)	A2 (Keyed alike in pairs)
M100	CB (Corbin 60)	4 (Satin Brass)	AT (AdamsRite & Yale)	KD (Keyed different)
M118	KW (Kwikset 1176)	10 (Satin Bronze)	BE (Best)	OB (Zero bitted)
M114	SC (Schlage C)	10B (Oil Rubbed Bronze)	CL (Corbin)	Except M156/M100, cylinders are drilled 6, pinned 5.
M138	SE (Segal 9)	15 (Satin Nickel)	SA (Sargent)	
M112	SX (Schlage C~K)	19 (Black)	SL (Schlage)	
	WR (Weiser E)	26 (Polished Chrome)	ST (Yale)	
	YA (Yale 8)	26D (Satin Chrome)	TS (Falcon/Saflok)	
M118	CL4 (Corbin L4)	32D (Stainless Steel)		A2-6 (Keyed alike in pairs)
M114	RD1 (Russwin D1)			KD-6 (Keyed different)
M138	SA (Sargent LA)			OB-6 (Zero bitted)
M112	SAX (Sargent LA~LC)			Cylinders are drilled 6, pinned 6.
	SLB (Sargent LB)			
	RA (Sargent RA)			
	SCE (Schlage E)			
	SCF (Schlage F)			
	YGA (Yale GA)			
M118	AST (Assa Twin 6000)			NK-6
M114	ASV (Assa V10)			Cylinders are sub-assembled with followers, no keys.
	G23 (Schlage C123)			
	G45 (Schlage C145)			

EXAMPLES

M156KW10BARA2
M118SC10BATA2
M114G2319STNK-6

IC MORTISE HOUSINGS

- ▶ Solid brass construction
- ▶ Exact OEM dimensions
- ▶ Precision CNC machined
- ▶ Removable cams with anti-slip screws

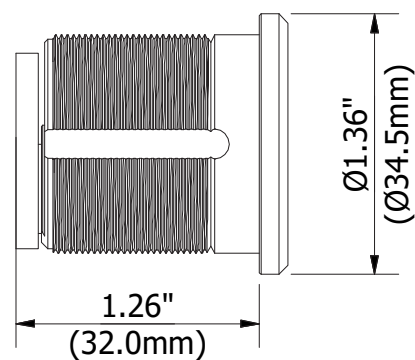


MODEL	DESCRIPTION
ICM6	Best small format, straight mortise housing, 6 pin
ICM7	Best small format, straight mortise housing, 7 pin
ICT6	Best small format, tapered mortise housing, 6 pin
ICT7	Best small format, tapered mortise housing, 7 pin
ICS	Schlage large format, mortise housing
CCM	Corbin large format, mortise housing
MCM	Medeco large format, mortise housing
SCM	Sargent large format, mortise housing
YCM	Yale large format, mortise housing

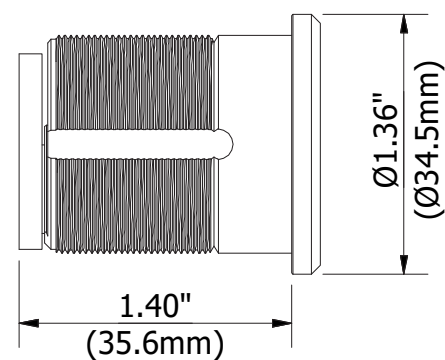
HOW TO ORDER IC MORTISE HOUSINGS

MODEL	FINISH	CAM
ICM6	3 (Polished Brass)	AR (AdamsRite)
ICM7	4 (Satin Brass)	BE (Best)
ICT6	10B (Oil Rubbed Bronze)	CL (Corbin)
ICT7	19 (Black)	SA (Sargent)
CCM	26 (Polished Chrome)	SL (Schlage)
MCM	26D (Satin Chrome)	ST (Yale)
SCM		TS (Falcon/Saflok)
YCM		
ICS		AR (AdamsRite)
		CL (Corbin)
		SA (Sargent)
		SL (Schlage)
		ST (Yale)

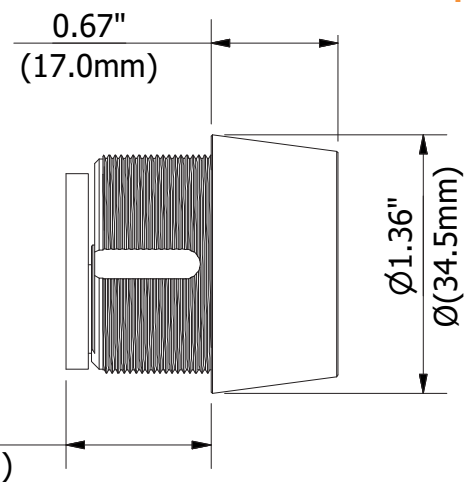
EXAMPLES ICM726DST
ICS19SL



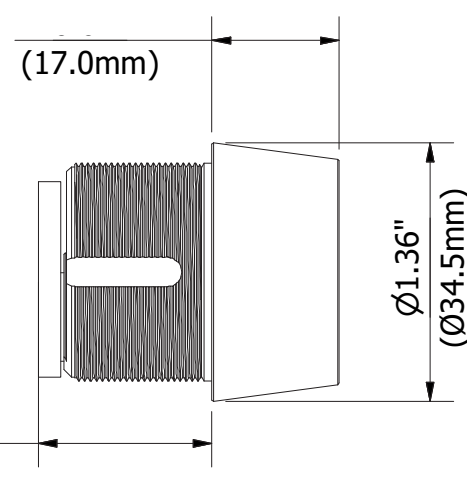
ICM6



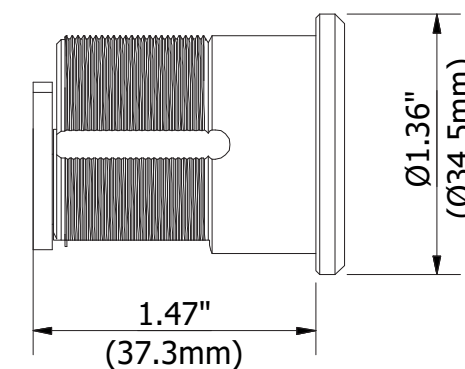
ICM7



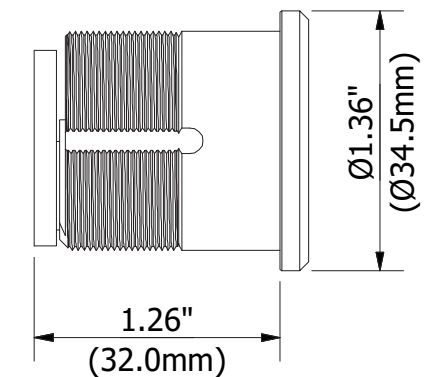
ICT6



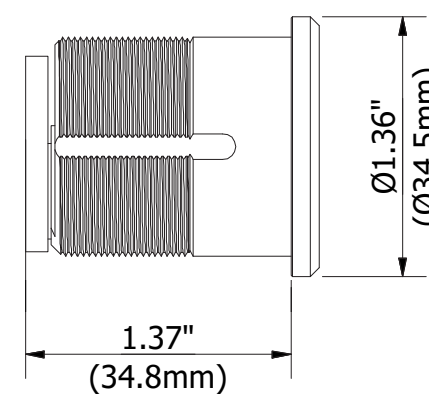
ICT7



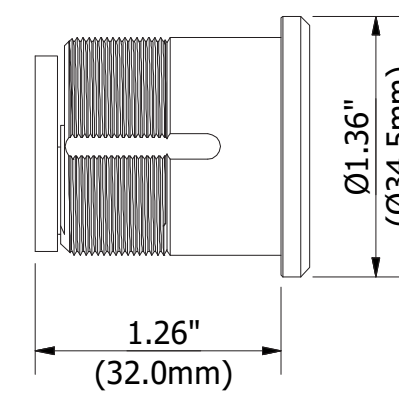
ICS



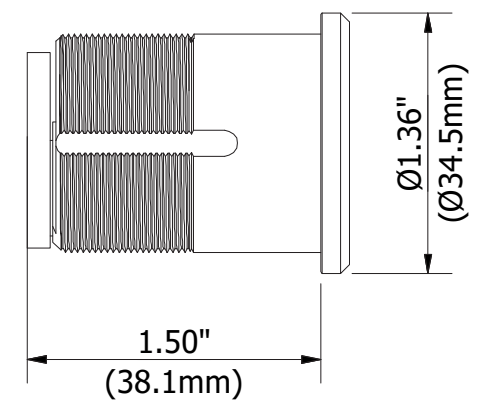
CCM



MCM



SCM

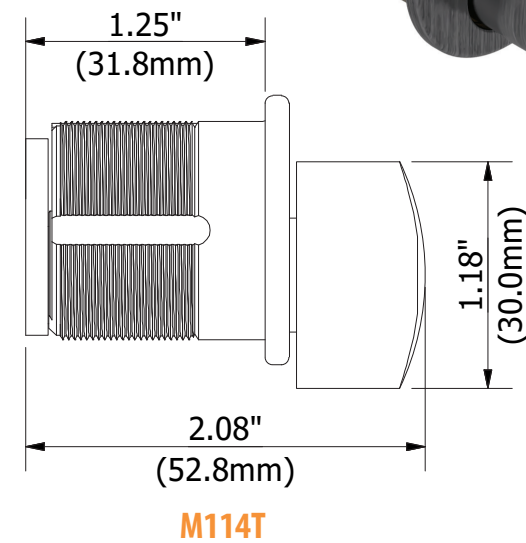
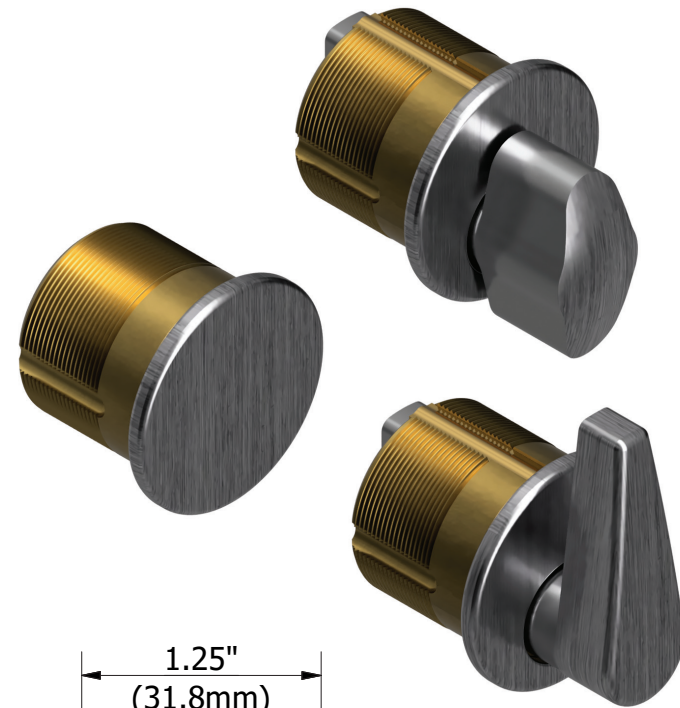


YCM

MORTISE T-TURN/DUMMY CYLINDERS

- ▶ Solid brass housing
- ▶ ADA turn-piece available
- ▶ Exact OEM dimensions
- ▶ Precision CNC machined

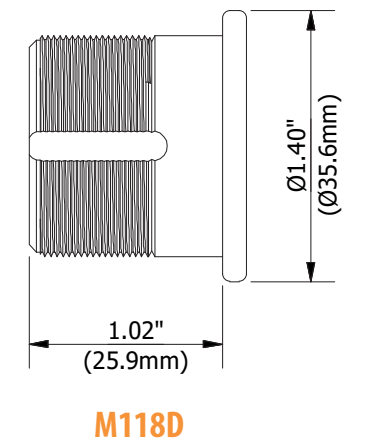
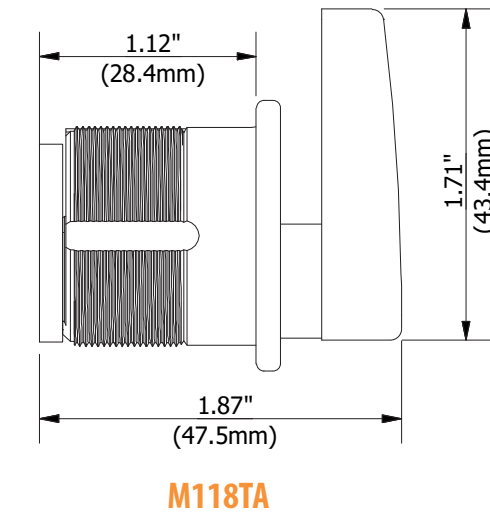
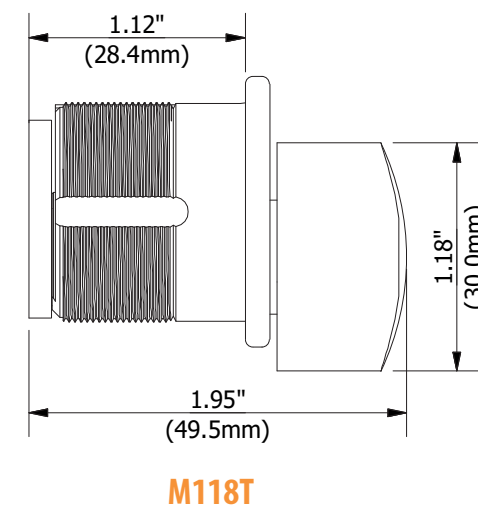
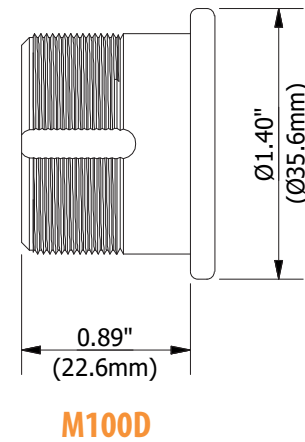
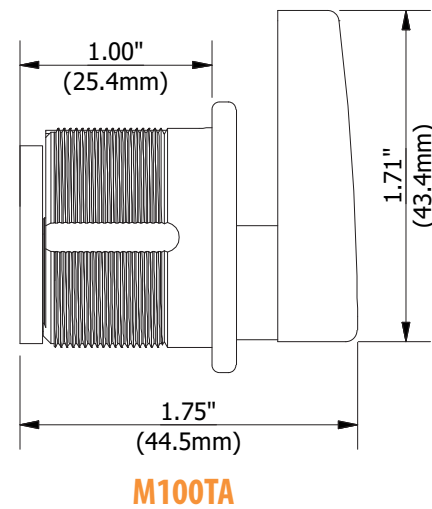
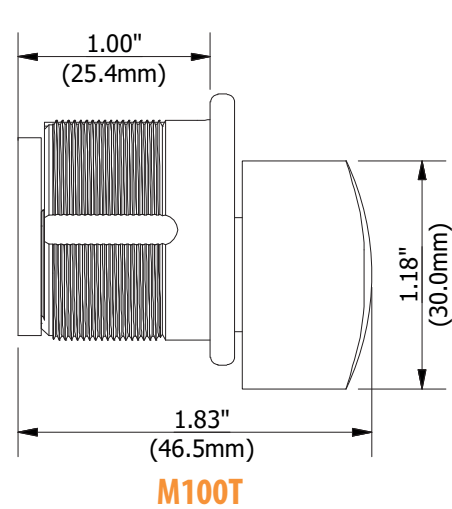
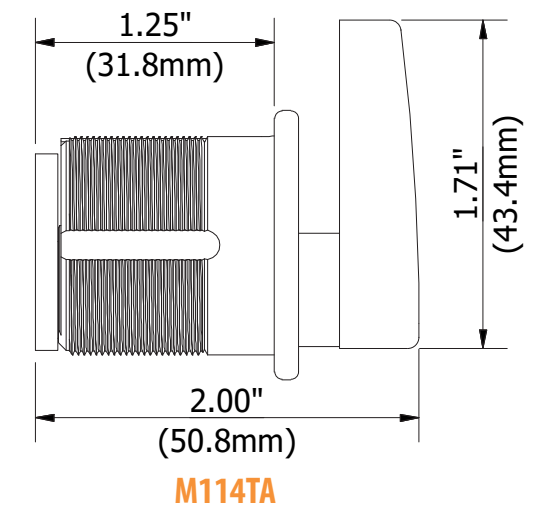
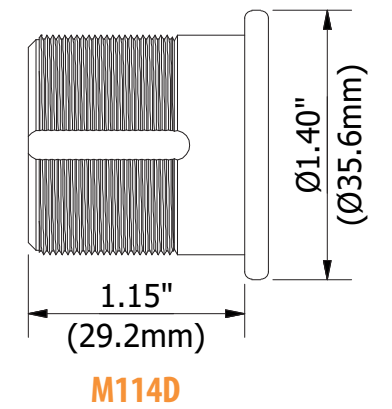
MODEL	DESCRIPTION
M156T	15/16" mortise t-turn
M156TA	15/16" mortise ADA t-turn w. classroom function
M100T	1" mortise t-turn
M100TA	1" mortise ADA t-turn w. classroom function
M118T	1-1/8" mortise t-turn
M118TA	1-1/8" mortise ADA t-turn w. classroom function
M114T	1-1/4" mortise t-turn
M114TA	1-1/4" mortise ADA t-turn w. classroom function
M138T	1-3/8" mortise t-turn
M138TA	1-3/8" mortise ADA t-turn w. classroom function
M112T	1-1/2" mortise t-turn
M112TA	1-1/2" mortise ADA t-turn w. classroom function
M156D	15/16" mortise dummy
M100D	1" mortise dummy
M118D	1-1/8" mortise dummy
M114D	1-1/4" mortise dummy



HOW TO ORDER MORTISE T-TURN/DUMMY CYLINDERS

MODEL	FINISH	CAM
M156T	3 (Polished Brass)	AR (AdamsRite)
M156TA	4 (Satin Brass)	AT (AdamsRite & Yale)
M100T	10 (Satin Bronze)	BE (Best)
M100TA	10B (Oil Rubbed Bronze)	CL (Corbin)
M118T	15 (Satin Nickel)	SA (Sargent)
M118TA	19 (Black)	SL (Schlage)
M114T	26 (Polished Chrome)	ST (Yale)
M114TA	26D (Satin Chrome)	TS (Falcon/Saflok)
M138T	32D (Stainless Steel)	
M138TA		
M112T		
M112TA		
M156D		N/A
M100D		
M118D		
M114D		

EXAMPLES M100T26DAR
M118D10B



MORTISE CYLINDER CAMS

PART NUMBER	DESCRIPTION	FITS
CAM1-AR-10	Adams Rite cam, 10 pack	All mortise cylinders (except A32/AST/ASV/G23/G45)
CAM1-BE-10	Best cam, 10 pack	
CAM1-CL-10	Corbin cam, 10 pack	
CAM1-SA-10	Sargent cam, 10 pack	
CAM1-SL-10	Schlage cam, 10 pack	
CAM1-ST-10	Yale cam, 10 pack	
CAM1-TS-10	Falcon/Saflok cam, 10 pack	
CAM2-AR-10	Adams Rite cam, 10 pack	ICM6 housings
CAM2-BE-10	Best cam, 10 pack	ICM7 housings
CAM2-CL-10	Corbin cam, 10 pack	ICT6 housings
CAM2-SA-10	Sargent cam, 10 pack	ICT7 housings
CAM2-SL-10	Schlage cam, 10 pack	CCM housings
CAM2-ST-10	Yale cam, 10 pack	SCM housings
CAM2-TS-10	Falcon/Saflok cam, 10 pack	
CAM3-AR-10	Adams Rite cam, 10 pack	ICS housings
CAM3-BE-10	Best cam, 10 pack	
CAM3-CL-10	Corbin cam, 10 pack	
CAM3-SA-10	Sargent cam, 10 pack	
CAM3-SL-10	Schlage cam, 10 pack	
CAM3-ST-10	Yale cam, 10 pack	
CAM4-AR-10	Adams Rite cam, 10 pack	Mortise Cylinders with A32/AST/ASV/G23/G45 keyways
CAM4-CL-10	Corbin cam, 10 pack	
CAM4-SA-10	Sargent cam, 10 pack	
CAM4-SL-10	Schlage cam, 10 pack	
CAM4-ST-10	Yale cam, 10 pack	
CAM4-TS-10	Falcon/Saflok cam, 10 pack	

