



LISTED

7000/F7000 Series Grade 1 Rim Device 7100/F7100 Series Grade 1 V/R Exit Device

10-Year Warranty

ANSI GRADE 1
ANSI/BHMA A156.3-2001
Type 1 & Type 2
Exceeds 500,000 Cycles



UL Listed for "A" Label Doors
Rated Up to 3 Hours
UL10C Positive Pressure Rated
Conforms to UBC 7-2 (1997)
UL305 Listed for Panic Hardware
UL10B Neutral Pressure Rated



Comply with ANSI117.1 for accessible and usable Buildings and Facilities Standards



7000 Rim Device
Aluminum



F7100 V/R Device
US32D

SPECIFICATIONS

CERTIFICATIONS

- ANSI Grade 1 approved, exceeds 500,000 cycles.
- UL305 Listed for Panic Hardware.
- UL Listed for up to 3hrs on "A" label Fire Doors.
- UL10B Neutral Pressure rated.
- UL10C/UBC7-2(1997) Positive Pressure rated.
- Comply with ANSI117.1 for accessible and usable Buildings and Facilities Standards.

DOOR FITTING

- 1-3/4" thick standard.
- Rim – 4-1/2" min. stile width for Single Door and 5/8" stop.
- V/R – 4-1/2" minimum stile with outside trim.
3-1/2" minimum stile without outside trim.
- Mounting Height – 41" from CL to finished floor.

DOOR WIDTH

- 36", rail can be cut from the end to fit door size down to 30".
- 48", rail can be cut from the end to fit door size down to 40".

DOOR HEIGHT

- 84" (7') - Standard with 36" Door width.
- 96" (8') - Standard with 48" Door width.

STRUCTURE

- Head Cover – Plated Zinc Alloy.
- Chassis – Steel or Stainless Steel.
- End Cap – Plated Zinc Alloy.
- Rail Assembly – Heavy Gauge Steel or Stainless Steel.

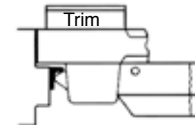
LATCH BOLT

- Rim – 3/4" throw.
Automatic dead-latching by pressing down the Guard Bolt.
- V/R – 1/2" throw.

Minimum Stile Requirements

Single Door

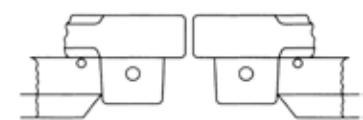
4-1/2" Min. Stile



Minimum Stile Requirements

Double Door with Two Vertical Rod Type Exit Devices

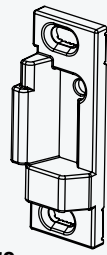
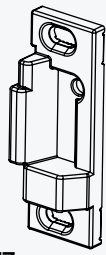
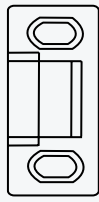
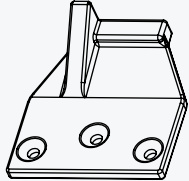


3-1/2" Min. Stile

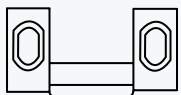


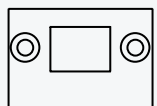
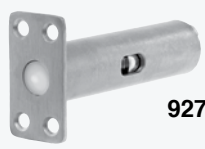



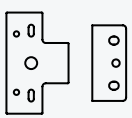

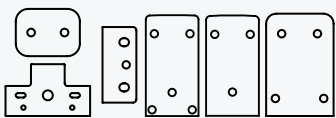


LISTED

Strikes & Fillers, and Accessories for 7000/7100

<p>Strike For 7000</p>  <p>9170 Surface applied</p>	<p>Strike For F7000</p>  <p>9177 Surface applied</p>	<p>Strike For 7000/F7000 in 2-3/8" Backset</p>  <p>9167 Surface applied</p>	<p>Overlapping Strike</p>  <p>9285 Used for double doors on inactive door to receive latch on active door. Surface applied</p>	<p>Fillers</p>  <p>9222 Latch Front Filler 1-1/8" x 2-1/4"</p>  <p>9209 ASA Strike Filler 1-1/4" x 4-7/8"</p>
--	---	--	--	--

<p>Top Strike For 7100</p>  <p>9171 Surface applied</p>	<p>Bottom Strike For 7100</p>  <p>9172 Applied to surface of floor or to a flat threshold</p>	<p>Top Strike For F7100</p>  <p>9179</p>	<p>Bottom Strike For F7100</p>  <p>9178 Alternate bottom strike that required mortise-in the floor</p>	<p>Fire Latch For Fire Rated Less Bottom Rod (LBR)</p>  <p>9279</p>
--	--	---	--	--

<p>Sex-Bolt with Screws 1346 for 1-3/4"~2" Door Thick (6 pcs/pack) 2146 for 2-1/4" Door Thick (6 pcs/pack) 1314 for 1-3/4"~2" Door Thick (14 pcs/pack) 2116 for 2-1/4" Door Thick (14 pcs/pack)</p> 	<p>Glass Bead Shim Kits (1/8" Thick) 1001 for 7000/F7000</p> 
<p>Extension Top Rod TR96 for 8' Door Height TR126 for 10' Door Height</p> 	<p>Glass Bead Shim Kits (1/8" Thick) 1006 for 7100 1012 for F7100</p> 

Outside Trim Selections for 7000/7100, 8800/8900

- Cylinder: Solid Brass SC4 6-pins standard. KW1 5-pins optional. IC Core available (SFIC)

LEVER TRIM

- Non handed
- Standard for 1-3/4" – 2" door thick.
- Finishes - US26D and US10B.

• 500L - Entrance

Key retracts latch bolt, unlocks lever.

ANSI function - 08

• 504L - Night Latch

Key operates lever, otherwise always locked.

ANSI function - 09

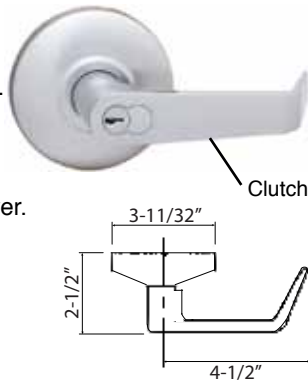
• 501L - Passage

Lever always operable and free.

ANSI function - 14

• 515L - Dummy

ANSI function - 02



ESCUTCHEON LEVER TRIM

- Standard for 1-3/4" – 2" door thick.
- Use extension kits 5214 for 2-1/4" door thick.
- Reversible lever design with clutch feature.
- Hardened steel heavy duty tailpiece.
- Finishes – Aluminum, Duro and US26D.

• 700ETL - Entrance

Key retracts latch bolt, unlocks lever.

ANSI function - 08

• 704ETL - Night Latch

Key operates lever, otherwise always locked.

ANSI function - 09

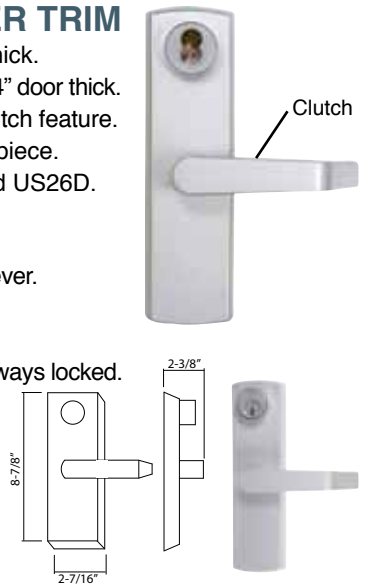
• 701ETL - Passage

Lever always operable and free.

ANSI function - 14

• 715ETL - Dummy

ANSI function - 02



THUMBPIECE TRIM

- Standard for 1-3/4" door thick.
- Optional for 2" ~ 2-1/4" door thick.
- Finishes – Aluminum, Duro, US32D

• 400TP - Entrance

Key locks or unlocks thumbpiece.

ANSI function - 05

• 404TP - Night Latch

Key unlocks thumbpiece, otherwise always locked.

ANSI function - 06

• 401TP - Passage

Thumbpiece always active.

ANSI function - 15

• 415TP - Dummy

ANSI function - 02



PULL TRIM

- Standard for 1-3/4" door thick.
- Optional for 2" ~ 2-1/4" door thick.
- Finishes – US32D and US10B.

• 611PT - Pull Trim with Cylinder

(For rim device only)

Key retracts latch bolt.

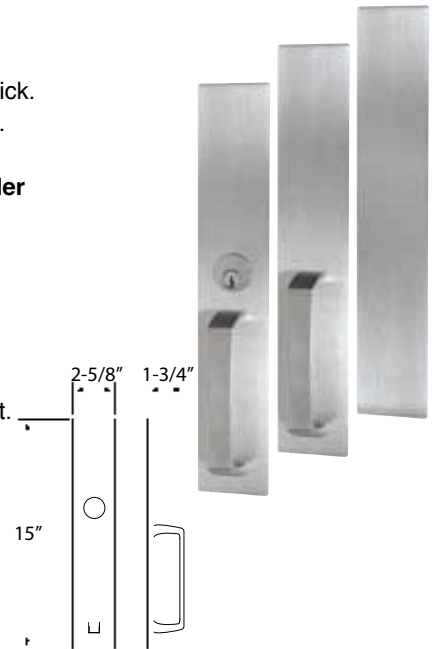
ANSI function - 03

• 615PT - Passage

ANSI function - 02

• 630PT - Cover Plate

Blank plate to cover 161 cutout.



OUTSIDE PLATE TRIM 611OP available with mounting bracket

Trim is furnished with two mortise nuts and screws for 1-3/4" door standard. Optional for up to 2-1/4" doors.

Design trim will cover a 161 cutout. (For rim device only)

Finishes – Aluminum and Duro.

611OP Outside Plate with Cylinder	615OP Outside Plate with Pull	630OP Outside Plate	
For rim device only. Outside by pull and key. Key retracts latch bolt. Covers 161 cutout. ANSI function-03	Outside by pull only. Pull when dogged. Covers 161 cutout. ANSI function-02	Blank plate to cover 161 cutout.	
